

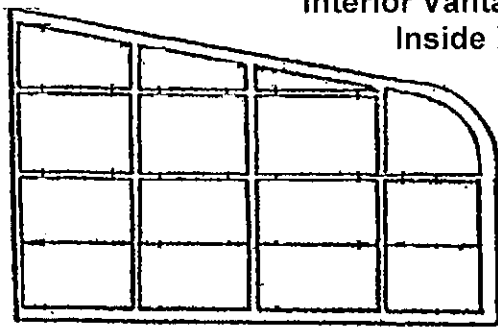


ThermalDESIGNS.

1880 South Flatiron Ct.
Boulder, CO 80301
866-442-3485 fax 303-442-3520
www.thermaldesignsinc.com
sales@thermaldesignsinc.com

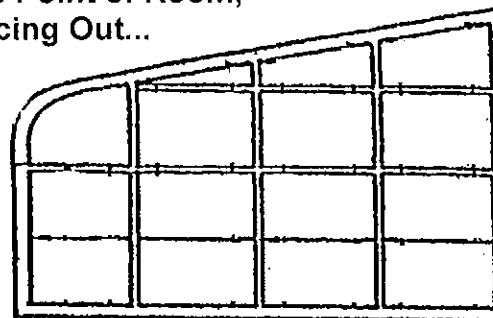
GABLE END ROMAN SHADES and FRONT ROMAN SHADES

Interior Vantage Point of Room,
Inside Facing Out...



L-4 L-3 L-2 L-1

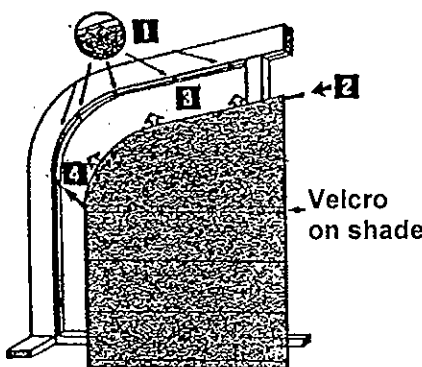
LEFT



R-1 R-2 R-3 R-4

RIGHT

Shades are labelled left and right to corresponding bays in your room as shown above. Shades are inside mount.



1 Attach gable end shade clips 3/4" in from face of glazing bar and evenly spaced across bay.

2 Slip plastic rod or bungie cord (either may be provided) into top hem of shade if not pre-inserted.

3 Attach shade to clips, letting shade hang free.

4 Mark position of velcro on shade onto glazing bars.

5 Remove shade from clips to continue...

6 Attach shade headrail 3/4" in from face of bay so velstick on headrail aligns with mark on glazing bars in step 4. Slotted brackets on headrail are adjustable for width.

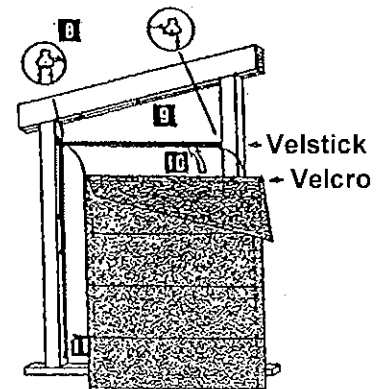
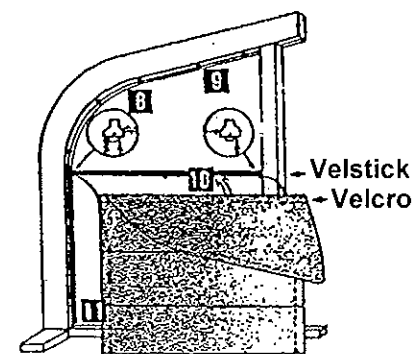
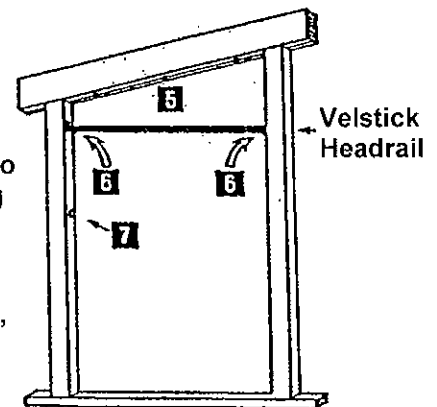
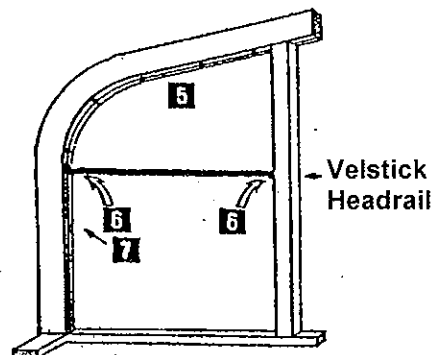
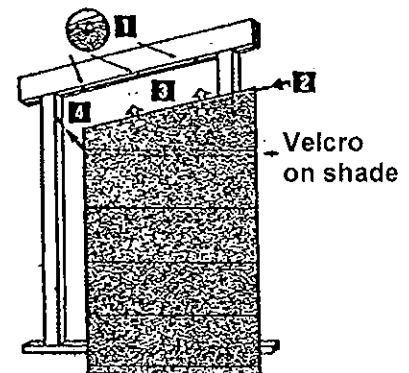
7 Attach cord cleat to desired side of glazing bar, inside mount.

8 String cords through pulleys on headrail.

9 Again, attach shade to clips.

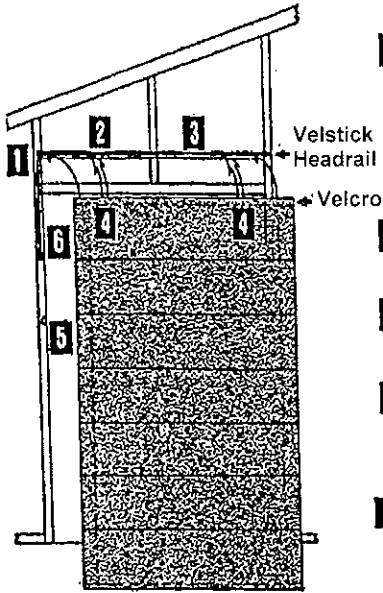
10 Attach velcro on shade to velstick on headrail.

11 Cords: With shade DOWN, equalize tension and tie a knot 2" below end pulley. Slip cords through tassel. At desired length, tie a knot below tassel and cut excess cord.



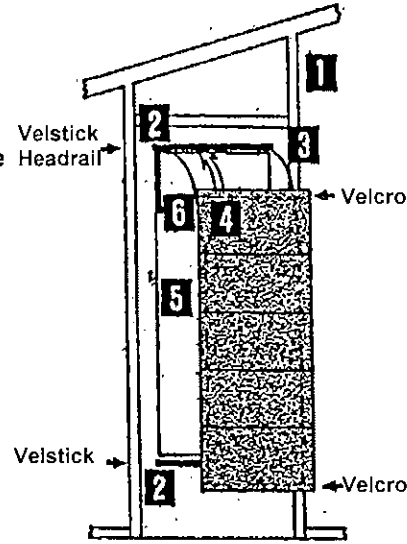
DOORS: Outside Mount for Slider or Swing Doors.

Slider mount on end bars...

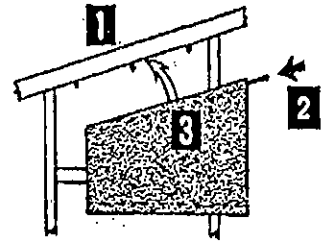


- 1** Mark shade velcro location on door or glazing bars of slider
- 2** Attach headrail to door or glazing bars of slider door so velstick aligns with marks. Slotted brackets are adjustable for width.
- 3** String cords through pulleys on headrail.
- 4** Attach velcro on shade to velstick on headrail.
- 5** Attach cord cleat to door frame (or glazing bar for slider).
- 6** Cords: With shade DOWN, equalize tension and tie a knot 2" below end pulley. Slip cords through tassel. At desired length, tie a knot below tassel and cut excess cord.

Swing mount on door...

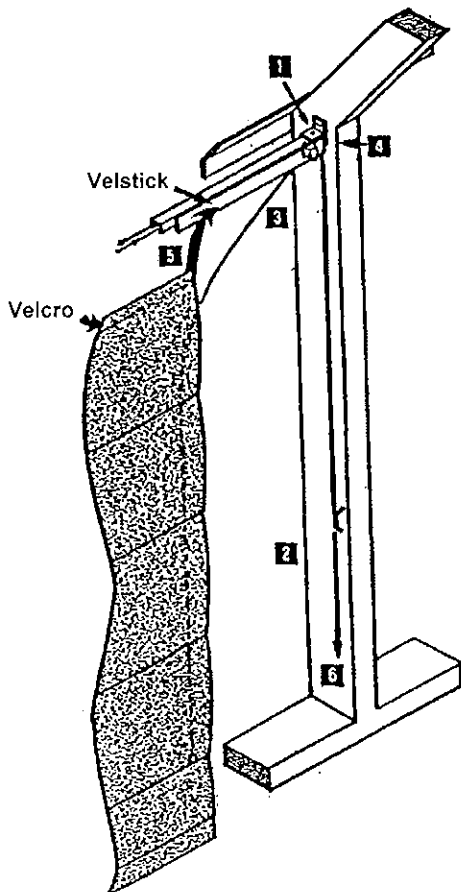


Above Door, inside mount...



- 1** Attach clips 3/4" in from face of glazing bar and evenly spaced across in bay.
- 2** Slip plastic rod into sleeve at top of shade.
- 3** Attach shade to clips.

FRONT SOLARIUM SHADES



- 1** Attach headrail: Hold shade up to locate exact position for headrail. Slotted brackets are adjustable for width by loosening screw.
- 2** Mount cleat to side of glazing bar.
- 3** Guide cords through pulleys.
- 4** Attach velcro on shade to velstick on headrail.
- 5** With shade DOWN, equalize tension and tie a knot 2" below end pulley.
- 6** With shade DOWN, slip cords through tassel. At desired length, tie a knot below tassel and cut excess cord.

